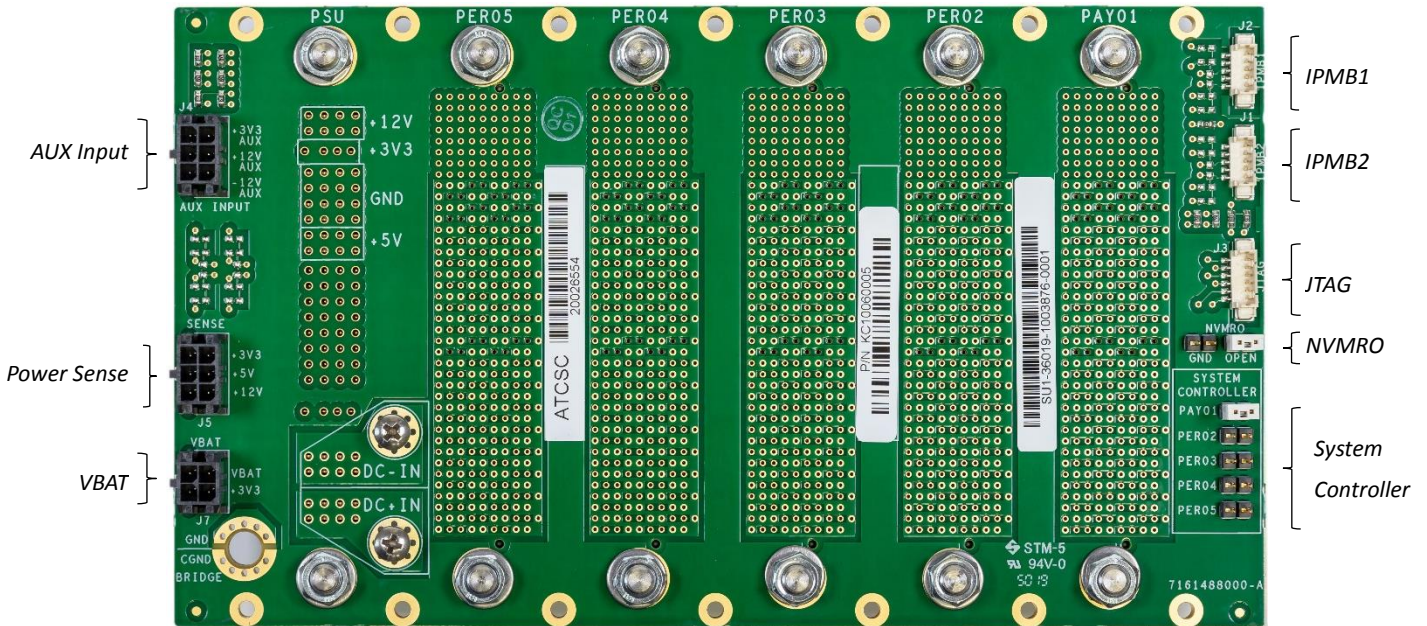


Amphenol Backplane Assembly & System Integration

Amphenol-BSI have been designing, assembling and testing backplanes for more than 30 years. Our experience of backplane design, manufacturing, development and electrical test technologies allows us to deliver the highest performance backplane at a product cost you can bring to the market. As part of the Amphenol Corporation, we continue to invest in our technologies to ensure we remain positioned as the most extensively tooled Backplane Supplier in the industry.



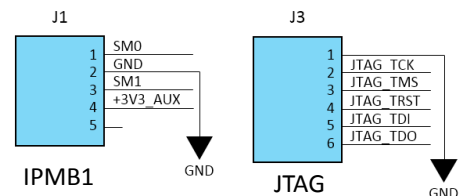
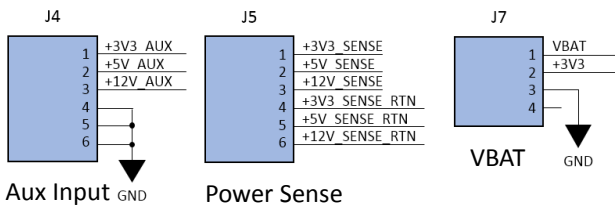
Viewed from the rear side

Power Delivery



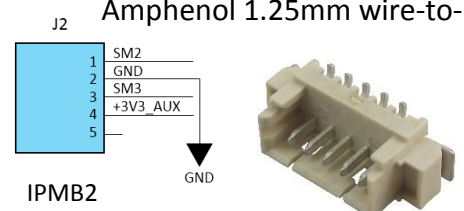
VITA 62 Modular Power Supply	
+12V (P6)	40A
+3V3 (LP2)	20A
+5V (P3)	40A
-DC_IN/ACN (P1)	40A
+DC_IN/ACL (P2)	40A
CHASSIS (LP1)	20A

Utility Interfaces



Amphenol 1.25mm wire-to-board

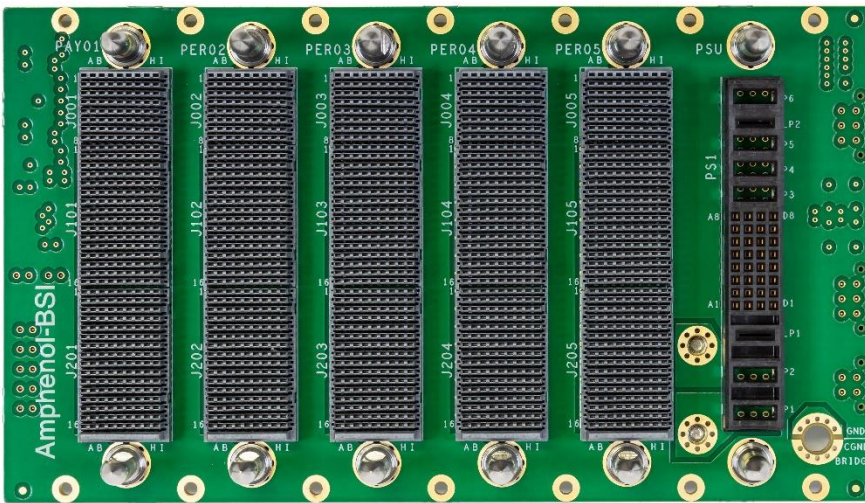
Molex Micro-Fit 3.0 vertical header
Maximum per contact = 8.5A



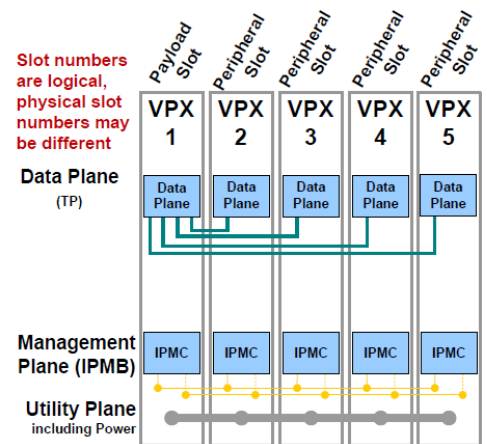
Amphenol-BSI Conceptual 1/2 size ATR Backplane

Amphenol-BSI's range of VPX backplanes are fully customizable to our customer's requirements. One such example is the 1/2 size ATR backplane that uses an OpenVPX65 profile, but the mechanical envelope is customized to fit a typical 1/2 size ATR enclosure.

We understand that all applications may require fully customizable backplanes which is why ABSI continue to invest in our Engineering team to provide our customers with a Solution Provider that they can trust and grow in partnership.



Viewed from the front side



Topology of BKP3-CEN05-15.2.20-n

General Information

- Optional RTM assembly
- Dimension: 177.20mm x 101.00mm x 3.86mm
- Multiple utility connectors for signal access
- VITA 62 Modular Power Supply
- Optimised for high-speed signal performance
- Edge plating to minimise EMI emissions
- Data Plane signals are not available on RTMs.
- Management Plane signals are available on RTMs.
- Utility Plane signals are available on RTMs
- JTAG (J3) access is to VPX1 slot only.
- Onboard configurable NVMRO.
- Onboard configurable System Controller.

Ordering Information

Fully Customised Solutions Available

Backplane Profile Name	Mechanical		Channel Data Rate (Gb/s)		
	Pitch	RTM	Expansion Plane	Control Plane	Data Plane
KC10060005	1.0"	no	10.3125	10.3125	10.3125

Contact

AMERICAS	EUROPE	ASIA
Saul Santos Saul.santos@amphenol-tcs.com +1.408.321.0629	Des King desmond.king@amphenol-tcs.com +353.41.980.6992	Denise Li denise.li@amphenol-tcs.com +86.519.6889.6507